



cimPRESS™

Swing Check Valve

Suitable for non-aggressive fluid applications including domestic and commercial plumbing, sanitary systems, autoclaves, pumps, and compressed air systems.

For use with hard drawn copper and/or stainless steel pipe using standard press tools. Manufactured in accordance with MSS-SP-110, PS117-2004, and EN ISO 9001 standards.

Features:

The CimPRESS 80PRS features press x press connections, screwed bonnet, and metal to metal seating with a one-piece, hot-forged brass EN 12165-CW617N swing disc designed for a low-pressure drop and reduced water hammer. They are manufactured from DZR “CR” corrosion-resistant brass and feature EPDM-ASTM D 2002 M2 o-rings that ensure a leak-proof, cold-crimped seal with added protection against corrosion. The Cim 80PRS can be installed vertically or horizontally to accommodate flow in one direction.

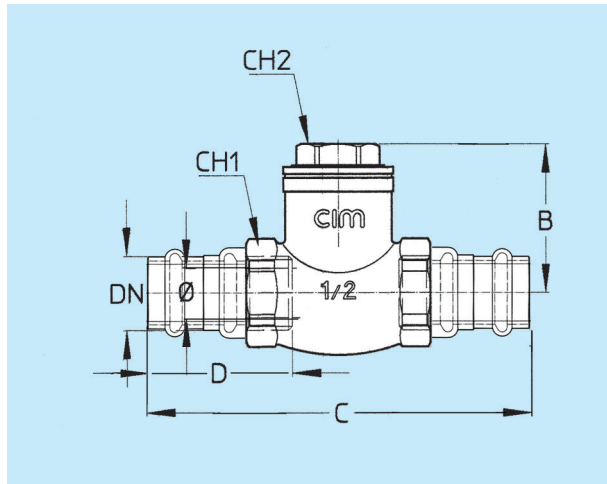
- Compatible with Standard Press Tools
- Water-Tight Seal
- Easy Installation
- Corrosion-Resistant

Size	Cim No.
½"	80PRS-04
¾"	80PRS-06
1"	80PRS-07
1¼"	80PRS-08
1½"	80PRS-09
2"	80PRS-10

Based on NSF/ANSI 61-2008 Annex G in compliance with Section 116875 of the California Health & Safety Code.

All Cimberio valves qualify for the American Recovery and Reinvestment Act and the Buy American Act.

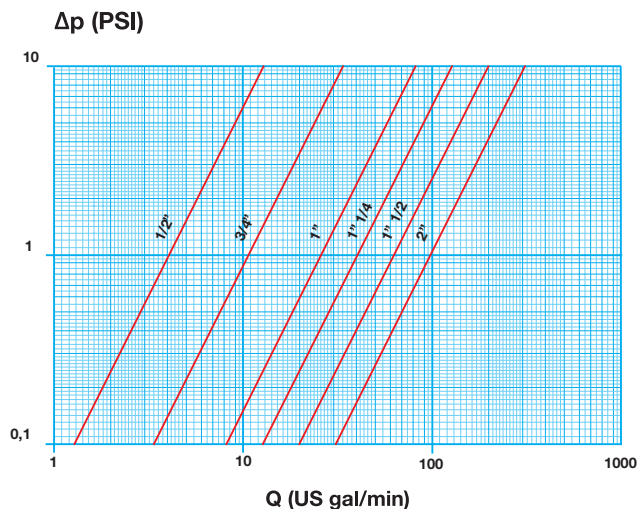
80PRS IS NOT INTENDED FOR USE WITH SOFT OR ROLLED COPPER PIPE



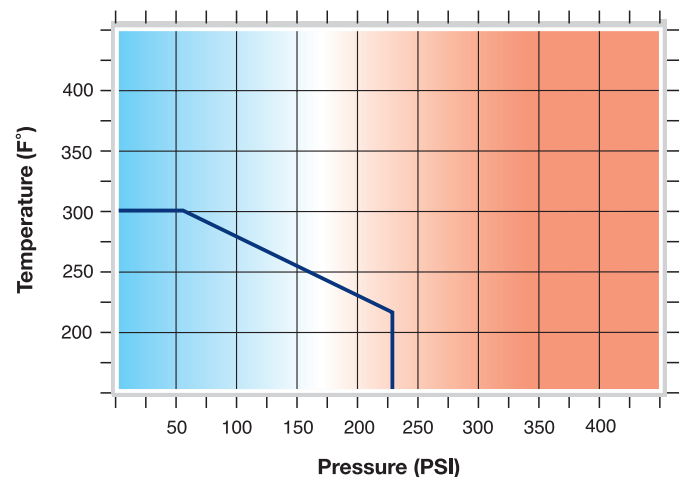
DIMENSIONS

Size	½"	¾"	1"	1¼"	1½"	2"
B	1⅝" 42mm	1¾" 45mm	2⅞" 52mm	3⅝" 60mm	2⅞" 62mm	2⅜" 72mm
C	6¼" 154mm	6⅞" 164mm	6¾" 172mm	7⅞" 186mm	9⅞" 190mm	10⅜" 208mm
D	2⅞" 62mm	2½" 64mm	2⅞" 65mm	2⅝" 67mm	2⅜" 67mm	2¼" 70mm
CH1	1⅝" 28mm	1¾" 34mm	1⅝" 41mm	1⅞" 50mm	2¼" 57mm	2¼" 70mm
CH2	1⅜" 21mm	1" 26mm	1¼" 32mm	1⅞" 37mm	1⅝" 42mm	2⅜" 52mm
Pounds	0.51	0.74	1.06	1.59	1.94	3.21
Grams	230	335	480	720	880	1455
Minimum Pipe	1.558" 40mm	1.738" 44mm	1.731" 44mm	1.6975" 43mm	1.8895" 48mm	2.128" 54mm

FLOW AND PRESSURE DROP



PRESSURE/TEMPERATURE RATINGS



KV - CV

KV: Flow rate in m³/h with a pressure drop of 1 bar

CV: Capacity in "US gal/min" at pressure drop of "1 PSI"

Element: Water - Temperature: 59.9° F

Size	½"	¾"	1"	1¼"	1½"	2"
CV	3.8	10.1	24.4	37.1	59.4	91.1

Working Pressure: 232 PSI

Max. Operating Temp: Working Limit for Fluids: 14° F - 212° F

Saturated Steam: 54 PSI @ 302° F

Test Pressure: According to ISO 5208

Job Name: _____

Job #: _____

Contractor: _____

Engineer: _____

Tag: _____

Date: _____

Contractor #: _____

Specification #: _____