

## **cimPRESS™**

### **Inline Check Valve**

Suitable for non-aggressive fluid applications including domestic and commercial plumbing, sanitary systems, autoclaves, pumps, and compressed air systems.

For use with hard drawn copper and/or stainless steel pipe using standard press tools. Manufactured in accordance with MSS-SP-110, PS117-2004, and EN ISO 9001 standards.

#### **Features:**

The CimPRESS 30PRS NL features press x press connections with a compact, noiseless design that provides a low-pressure drop and reduced water-hammer. They are manufactured from DZR “CR” corrosion-resistant, no-lead brass and feature a double stem guide with a stainless steel, spring-loaded Hostraform thermoplastic free rotating stem. EPDM-ASTM D 2002 M2 o-rings ensure a leak-proof, cold-crimped seal with added protection against corrosion. The Cim 30PRS NL will provide a full flow area equal to the normal pipe size and can be installed vertically, horizontally, or at an angle to accommodate flow in one direction.

- Compatible with Standard Press Tools
- Water-Tight Seal
- Easy Installation
- Corrosion-Resistant

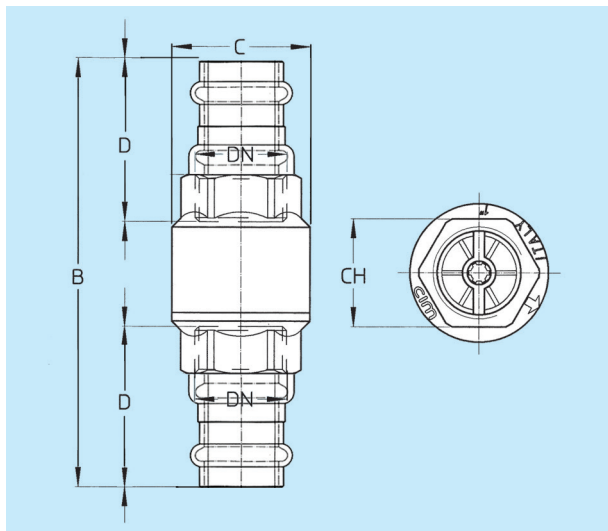


Size	Cim No.
½"	30PRS-NL-04
¾"	30PRS-NL-06
1"	30PRS-NL-07
1¼"	30PRS-NL-08
1½"	30PRS-NL-09
2"	30PRS-NL-10

Based on NSF/ANSI 61-2008 Annex G in compliance with Section 116875 of the California Health & Safety Code.

All Cimberio valves qualify for the American Recovery and Reinvestment Act and the Buy American Act.

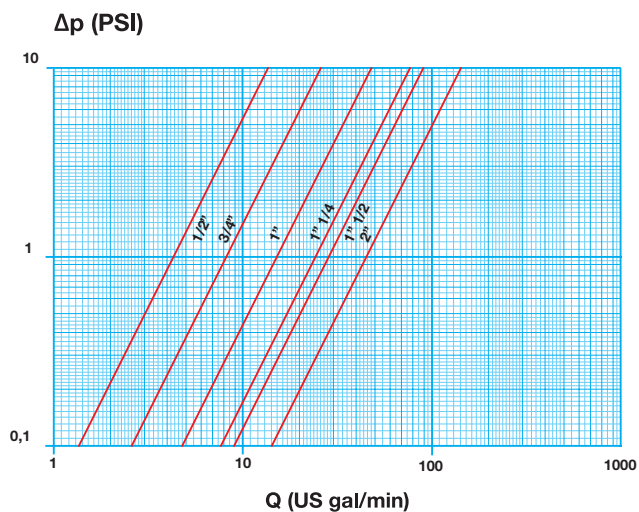
**30PRSNL IS NOT INTENDED FOR USE WITH SOFT OR ROLLED COPPER PIPE**



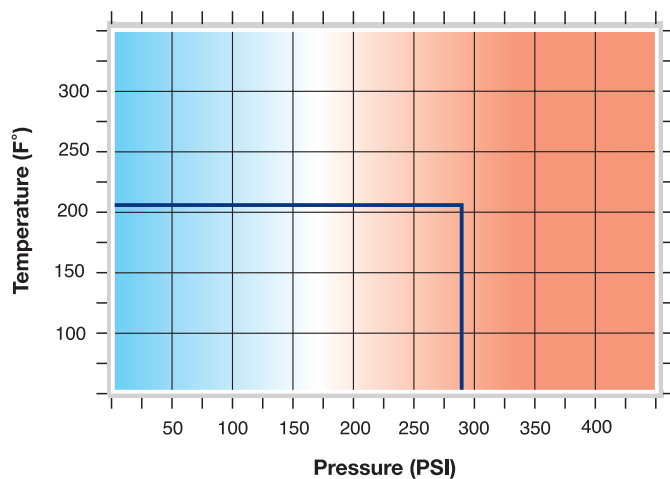
## DIMENSIONS

Size	½"	¾"	1"	1¼"	1½"	2"
B	4½" 114mm	5½" 130mm	5⅞" 144mm	6⅞" 154mm	7⅞" 181mm	8½" 216mm
C	1⅞" 35mm	1⅞" 42mm	2" 50mm	2⅜" 60mm	2¾" 70mm	3¼" 83mm
D	1⅜" 29mm	1⅝" 34mm	1⅞" 36mm	1⅞" 36mm	1⅞" 42mm	2" 51mm
CH	1" 25mm	1½" 31mm	1⅞" 39mm	1⅞" 48mm	2⅞" 55mm	2⅞" 67mm
Pounds	0.56	0.88	1.31	2.05	2.95	4.53
Grams	256	397	593	928	1338	2057
Minimum Pipe	⅞" 22mm	1" 25mm	1⅞" 27mm	1⅞" 27mm	1¼" 32mm	1⅞" 37mm

## FLOW AND PRESSURE DROP



## PRESSURE/TEMPERATURE RATINGS



## KV - CV

**KV:** Flow rate in m3/h with a pressure drop of 1 bar

**CV:** Capacity in "US gal/min" at pressure drop of "1 PSI"

**Element:** Water - Temperature: 59.9° F

**Opening Pressure:** 0.36 PSI

**Working Pressure:** 290 PSI

**Max. Operating Temp:** Working Limit for Fluids: 14° F - 212° F

**Test Pressure:** According to ISO 5208

Job Name: \_\_\_\_\_

Job #: \_\_\_\_\_

Contractor: \_\_\_\_\_

Engineer: \_\_\_\_\_

Tag: \_\_\_\_\_

Date: \_\_\_\_\_

Contractor #: \_\_\_\_\_

Specification #: \_\_\_\_\_